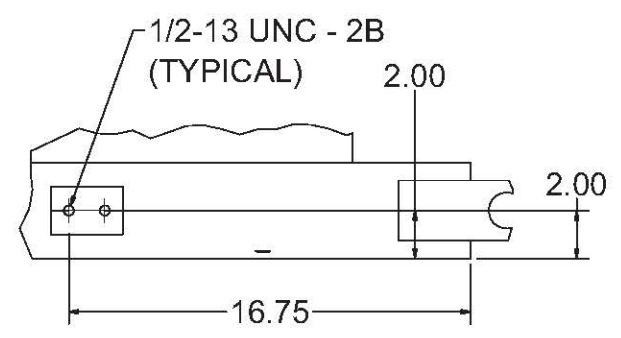
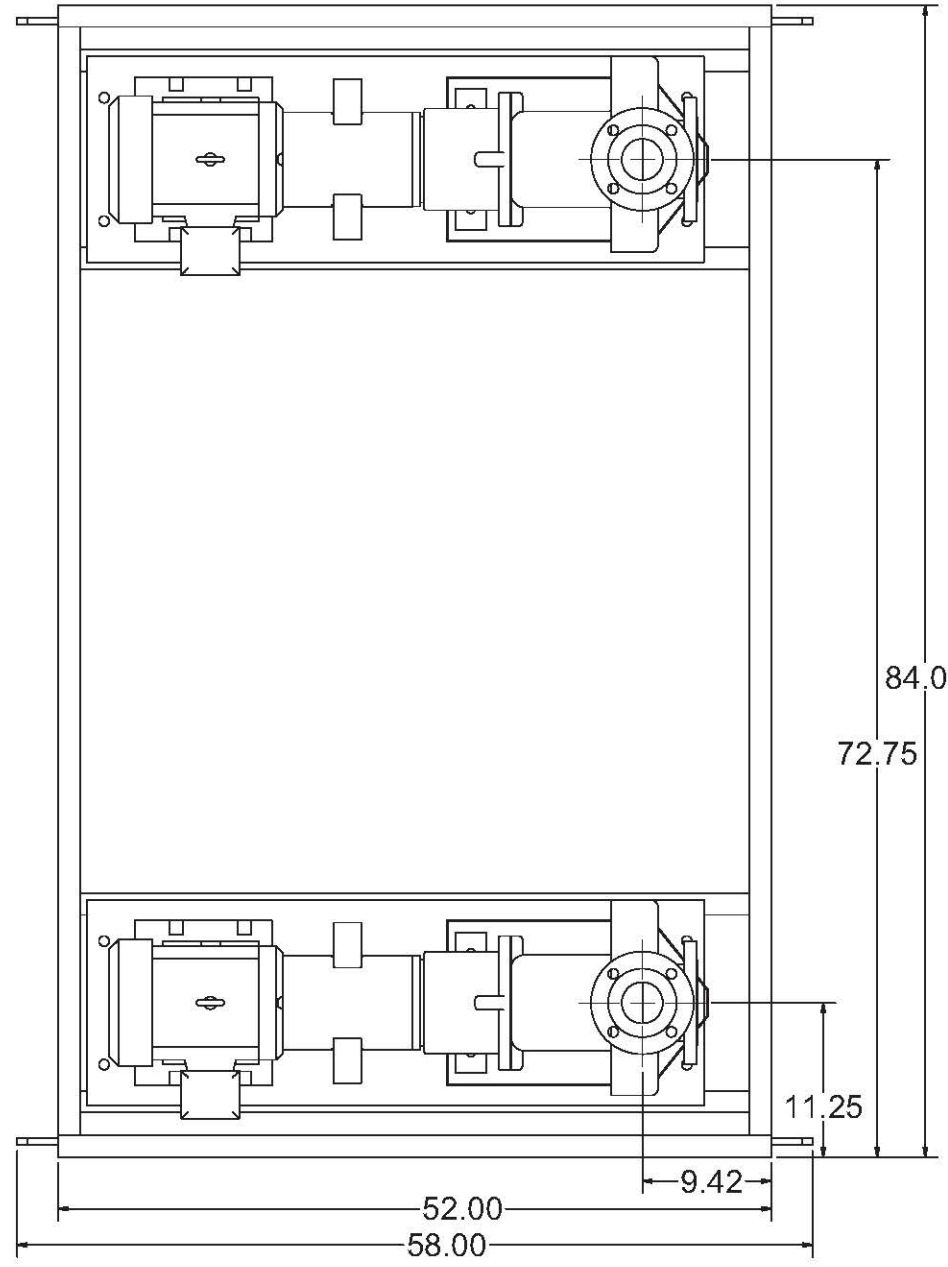
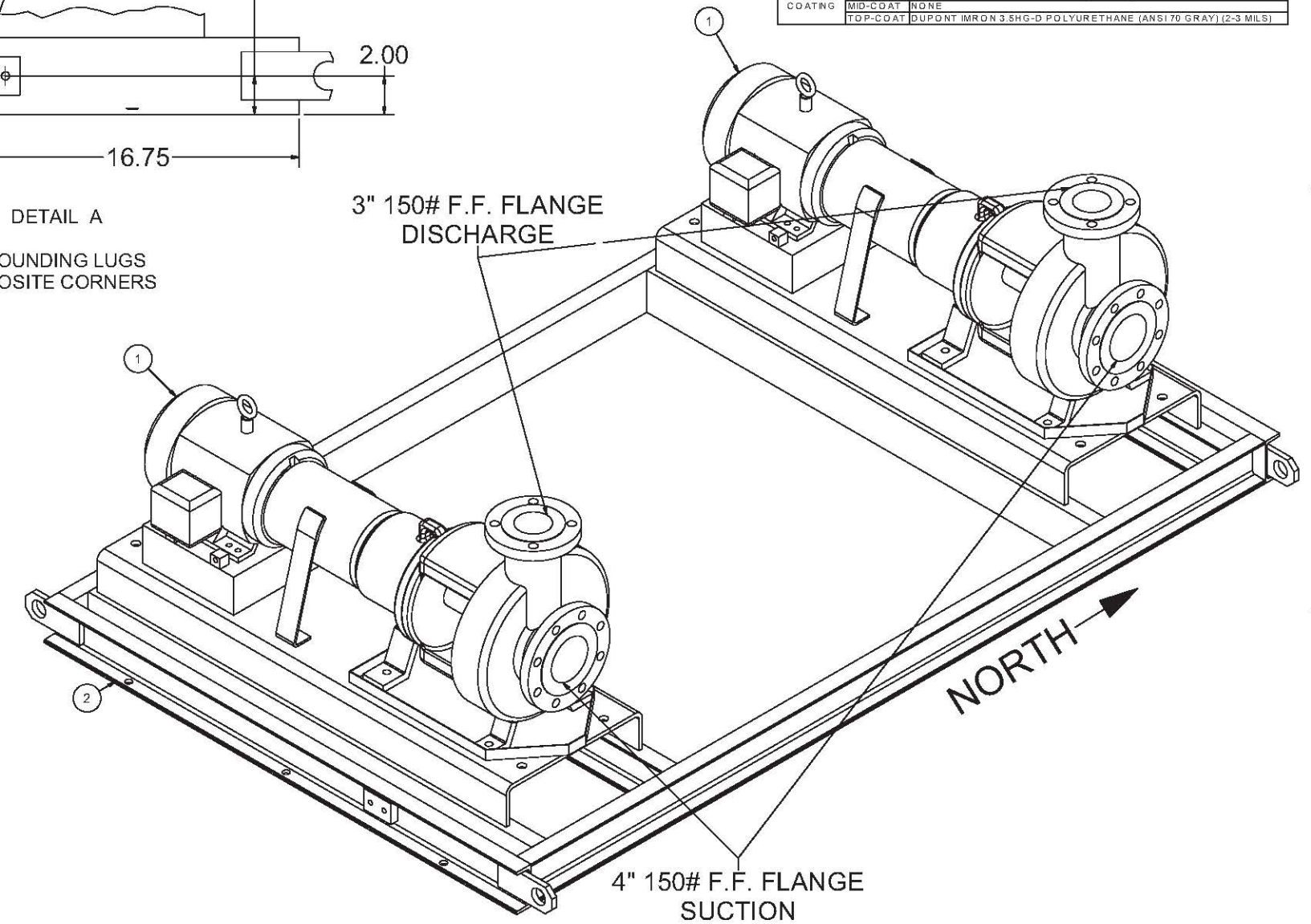


ITEM		QTY	PART NUMBER	DESCRIPTION
1	2		WASTEWATER FORWARDING	FLOWSERVE 2K 4X3-10 PUMP, 5 HP, 1,800 RPM, 184T FRAME MOTOR
2	1		WASTEWATER FORWARDING BASE	

BUILD SPECS	
MATERIAL	A36 STRUCTURAL STEEL
WELD SPEC	AW S D1.1
SURFACE MEDIA	ALUMINUM OXIDE
BLAST FINISH	SSPC 6
PRIMER	DUPONT CORLAR 2.1ST EPOXY (3-8 MILS)
MID-COAT	NONE
TOP-COAT	DUPONT IMRON 3.SHG-D POLYURETHANE (ANSI 70 GRAY) (2-3 MILS)

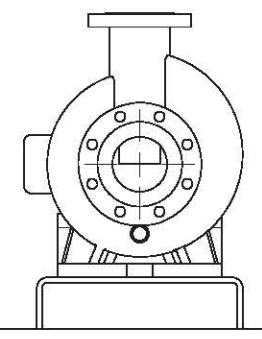
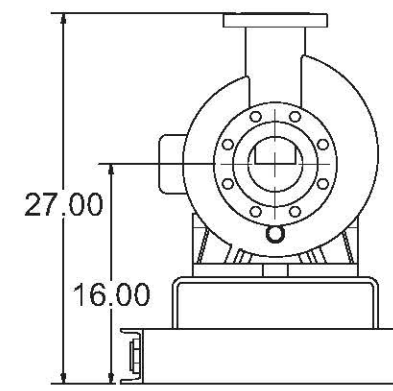
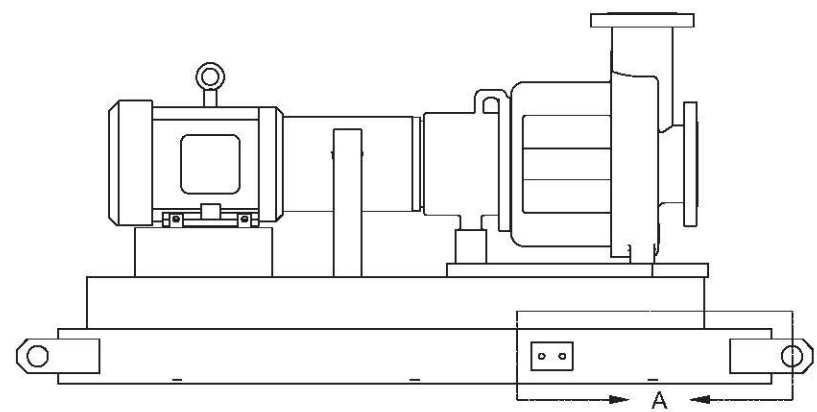


DETAIL A
GROUNDING LUGS
OPPOSITE CORNERS



NORTH ↑

NORTH →



SKID TAG NO: WWC-SKD-1005
 PUMP TAG NO: WWC-PP-1005A; WWC-PP-1005B
 DESCRIPTION: WASTEWATER FORWARDING
 PROJECT TAG NUMBER: Gainesville Renewable Energy Center
 (FAGEN Job Number: 104009.502)



FUREY FILTER & PUMP, INC.
 N 117 W 19237 FULTON DR.,
 BERMANTOWN, WI 53022
 WWW.FUREYFP.COM (262)-293-0333

PROJECT DESCRIPTION	GENERAL SERVICE PUMPS	DESIGNER	E. RODRIGUEZ	PROJECT ENGINEER	J. CAMPBELL	JOB	J04366
DRAWING DESCRIPTION	GENERAL ARRANGEMENT	DATE DRAWN	1/14/2012	DATE CHECKED	2/13/2012	REVISION	1
CUSTOMER	FAGEN	DESIGN STATE	WorkInProgress	SIZE	D		
CUSTOMER P.O. NUMBER	554748	DRAWING NUMBER	J04366-WWF-GA-1		SHEET	1 OF 2	

DIMENSIONS IN INCHES UNLESS SPECIFIED
 ALL CUSTOMER CONNECTIONS HAVE A TOLERANCE OF ±.12"